

(19) World Intellectual Property
Organization
International Bureau



(43) International Publication Date
10 March 2005 (10.03.2005)

PCT

(10) International Publication Number
WO 2005/020850 A2

- (51) International Patent Classification⁷: **A61F**
- (21) International Application Number:
PCT/US2004/028094
- (22) International Filing Date: 27 August 2004 (27.08.2004)
- (25) Filing Language: English
- (26) Publication Language: English
- (30) Priority Data:
10/651,871 29 August 2003 (29.08.2003) US
- (71) Applicants (for all designated States except US): **GER-RASPINE A.G.** [CH/CH]; Rorschacher Str. 292, CH-9016 St. Gallen (CH). **JOHNSON, Mark, C.** [US/US]; Renner, Otto, Boisselle & Sklar, LLP, 1621 Euclid Avenue, 19th Floor, Cleveland, OH 44115 (US).

W. [CH/CH]; Rosenstr. 22, CH-9113 Degersheim (CH). **GROB, Dieter** [CH/CH]; Pflugsteinstr. 38, CH-8703 Erlenbach (CH).

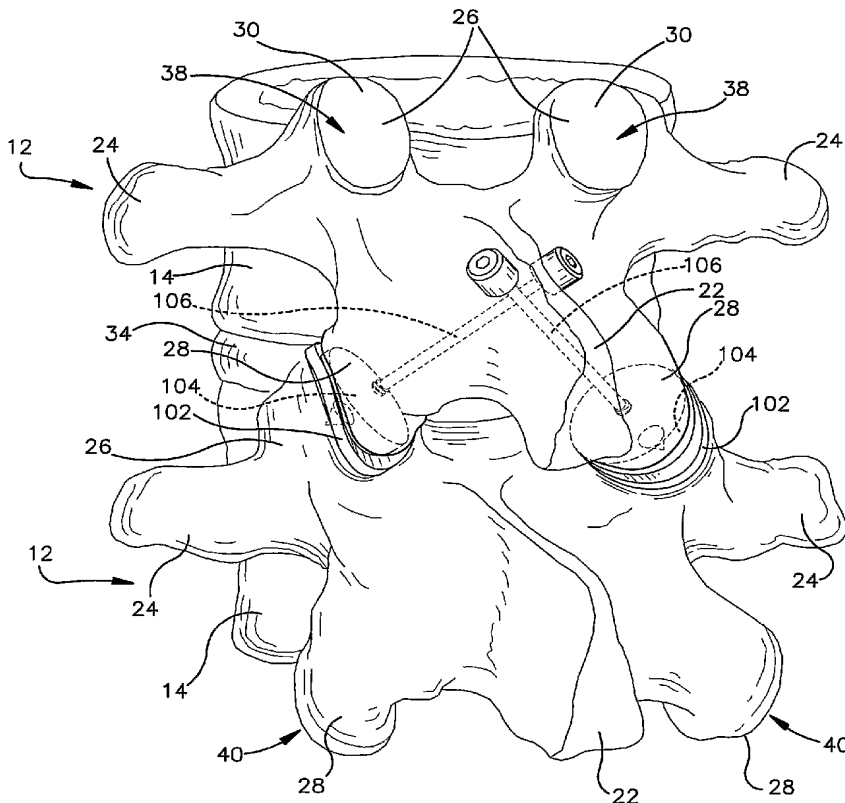
- (74) Agent: **JOHNSON, Mark, C.**; Renner, Otto, Boisselle & Sklar LLP, 1621 Euclid Avenue, 19th Floor, Cleveland, OH 44115 (US).
- (81) Designated States (unless otherwise indicated, for every kind of national protection available): AE, AG, AL, AM, AT, AU, AZ, BA, BB, BG, BR, BW, BY, BZ, CA, CH, CN, CO, CR, CU, CZ, DE, DK, DM, DZ, EC, EE, EG, ES, FI, GB, GD, GE, GH, GM, HR, HU, ID, IL, IN, IS, JP, KE, KG, KP, KR, KZ, LC, LK, LR, LS, LT, LU, LV, MA, MD, MG, MK, MN, MW, MX, MZ, NA, NI, NO, NZ, OM, PG, PH, PL, PT, RO, RU, SC, SD, SE, SG, SK, SL, SY, TJ, TM, TN, TR, TT, TZ, UA, UG, US, UZ, VC, VN, YU, ZA, ZM, ZW.

- (72) Inventors; and
- (75) Inventors/Applicants (for US only): **HALE, Horace,**

- (84) Designated States (unless otherwise indicated, for every kind of regional protection available): ARIPO (BW, GH,

[Continued on next page]

(54) Title: FACET IMPLANT



(57) Abstract: The present invention relates to prostheses for treating spinal pathologies, and more specifically to a system and method for treating articulating surfaces of facet joints. The system includes a superior implant 102 for placement on a superior articulating surface and an inferior implant 104 for placement on an inferior articulating surface. In addition, described is a method for providing articulating surfaces for facet joint articular facets, as well as various types of raps 800, 900, 1000 used to prepare such surfaces.

WO 2005/020850 A2



GM, KE, LS, MW, MZ, NA, SD, SL, SZ, TZ, UG, ZM, ZW), Eurasian (AM, AZ, BY, KG, KZ, MD, RU, TJ, TM), European (AT, BE, BG, CH, CY, CZ, DE, DK, EE, ES, FI, FR, GB, GR, HU, IE, IT, LU, MC, NL, PL, PT, RO, SE, SI, SK, TR), OAPI (BF, BJ, CF, CG, CI, CM, GA, GN, GQ, GW, ML, MR, NE, SN, TD, TG).

Published:

— *without international search report and to be republished upon receipt of that report*

For two-letter codes and other abbreviations, refer to the "Guidance Notes on Codes and Abbreviations" appearing at the beginning of each regular issue of the PCT Gazette.

TITLE OF THE INVENTION

5

FACET IMPLANT

FIELD OF THE INVENTION

The present invention relates generally to prostheses for treating spinal pathologies, and more specifically to a system and method for treating articulating surfaces of facet joints.

BACKGROUND OF THE INVENTION

Back pain, such as in the "small of the back", or lumbosacral (L4-S1) region, is a common ailment. In many cases, the pain severely limits a person's functional ability and quality of life. A variety of spinal pathologies can lead to back pain.

Through disease or injury, the laminae, spinous process, articular processes, or facets of one or more vertebral bodies can become damaged, such that the vertebrae no longer articulate or properly align with each other. This can result in an undesired anatomy, loss of mobility, and pain or discomfort. With respect to vertebral articular surface degeneration, facet joints may show a reduced thickness of cartilage and may advance to entire disappearance thereof. Furthermore, surrounding the degenerated articular surfaces, there is bony formation able to give neurological compressions inside either the foramenae or spinal canal. These facts induce lower back and nerve roots pain which affect a large part of the population.

The vertebral facet joints, for example, can be damaged by either traumatic injury or by various disease processes, such as osteoarthritis, ankylosing spondylolysis, and degenerative spondylolisthesis. The damage to the facet joints often results in pressure on nerves, also called a "pinched" nerve, or nerve impingement. The result is pain, misaligned anatomy, and a corresponding loss of mobility. Pressure on nerves can also occur without facet joint pathology, e.g., a herniated disc.

Degenerative spinal diseases can involve articular surfaces only, but may also have a more invasive pathology including traumatic, infectious, tumorous or dysmorphic (spondylolisthesis, for example) effecting the destruction of all or part of

the articular process. The locking of vertebral motions by spinal arthrodesis or ligamentoplasty induces, beyond a spinal stiffness, an increased force on the joint facets of the adjacent vertebrae above and below the fusion, usually sustained by the considered intervertebral space and therefore an increase of degeneration of these joint facets.

One type of conventional treatment of facet joint pathology is spinal stabilization, also known as intervertebral stabilization. By applying intervertebral stabilization, one can prevent relative motion between the vertebrae. By preventing this movement, pain can be reduced. Stabilization can be accomplished by various methods. One method of stabilization is spinal fusion. Another method of stabilization is fixation of any number of vertebrae to stabilize and prevent movement of the vertebrae. Yet another type of conventional treatment is decompressive laminectomy. This procedure involves excision of the laminae to relieve compression of nerves. With regard to discal prostheses, they provide a "space" between two vertebral bodies while preserving some motion. They solve the aging intervertebral disc problem but do not function to reduce the force on posterior joint facets.

These traditional treatments are subject to a variety of limitations and varying success rates. Furthermore, none of the described treatments puts the spine in proper alignment or return the spine to a desired anatomy. In addition, stabilization techniques, by holding the vertebrae in a fixed position, permanently limit a person's mobility. Some procedures involving motion devices have a high incidence of spontaneous fusion. There is thus a need in the art for a system and procedure capable of increasing the percentage of good results in disc replacement surgery. In addition, there is a need in the art for better results than are commonly achieved through trans-articular fusions. Further, there is a need in the art for a system and procedure that permits greater mobility in cases of spinal problems involving only the facet joints, and for obviating the need for spinal fusion associated with degenerative and congenital problems of the spine.

BRIEF SUMMARY OF THE INVENTION

According to an aspect of the invention, a facet implant comprising: a superior implant having an articulating surface and a fixation surface and being configured for placement on a superior articular facet; a inferior implant having an articulating

surface and a fixation surface and being configured for placement on an inferior articular facet and for interacting with a translaminar fixation mechanism, whereby the articulating surface of the superior implant and the articulating surface of the inferior implant are configured to interact; and a translaminar fixation mechanism for
5 securing the inferior implant to the inferior articular facet.

According to another aspect of the invention, a facet implant comprises: a superior implant having a fixation surface and a generally curved articulating surface, the superior implant being configured for placement on a specifically prepared articulating surface of a superior articular facet; and an inferior implant having a
10 fixation surface and a generally convex articulating surface, the inferior implant being configured for placement on a specifically prepared articulating surface of an inferior articular facet, whereby the generally curved articulating surface of the superior implant and the generally convex articulating surface of the inferior implant being configured to interact.

According to another aspect of the invention, a method for providing articulating surfaces for facet joint articular facets comprises: creating a space between a superior articular facet and an inferior articular facet; using a rasp to prepare the articulating surface of the inferior articular facet for an inferior implant; using a rasp to prepare the articulating surface of the superior articular facet for a
20 superior implant; placing the inferior implant on the inferior articular facet such that an articulating surface of the inferior implant is positioned on the articulating surface of the inferior articular facet; placing the superior implant on the superior articular facet such that an articulating surface of the superior implant is positioned on the articulating surface of the superior articular facet; wherein the articulating surface of
25 the superior implant and the articulating surface of the inferior implant are configured to articulate with one another.

According to another aspect of the invention, a facet implant comprises: a superior implant having a fixation surface and a generally curved articulating surface, the superior implant being configured for placement on a specifically prepared
30 articulating surface of a superior articular facet; a inferior implant having a fixation surface and a generally convex articulating surface, the inferior implant being configured for placement on a specifically prepared articulating surface of an inferior articular facet and for interacting with a translaminar screw, whereby the articulating surface of the superior implant and the articulating surface of the inferior implant

being configured to interact; and a translaminar fixation mechanism for securing the inferior implant to the inferior articular facet.

According to another aspect of the invention, a rasp for preparing an articulating surface of a facet joint articular facet for an implant comprises: at least one handle; a shaft connecting the at least one handle to a working end of the rasp; and a generally curved head at the working end of the rasp having at least one cutting surface configured to cut when the cutting surface is moved in a first direction, but not when the cutting surface is moved in a direction opposite of the first direction.

BRIEF DESCRIPTION OF THE DRAWINGS

Figure 1 is a lateral elevation view of a normal human spinal column;

Figure 2 is a superior view of a normal human lumbar vertebra;

Figure 3 is a posterior perspective view of a vertebral lumbar facet joint;

Figure 4 is a lateral elevation view of a vertebral lumbar facet joint;

Figures 5A-5C illustrate a facet implant alone and in conjunction with a facet joint in a posterior perspective view;

Figure 6 is a flow chart generally illustrating a method for providing articulating surfaces for facet joint articular facets;

Figure 7 is an illustration of a rasp being used to prepare an articulating surface;

Figures 8-10 are illustrations of different types of rasps; and

Figure 11 is an illustration of an aiming device for use in positioning a translaminar screw.

DETAILED DESCRIPTION OF THE INVENTION

Referring initially to Figure 1, the human spinal column 10 is illustrated. The spinal column 10 is comprised of a series of thirty-three stacked vertebrae divided into five regions. The cervical region includes seven vertebrae, known as C1-C7. The thoracic region includes twelve vertebrae, known as T1-T12. The lumbar region contains five vertebrae, known as L1-L5. The sacral region is comprised of five vertebrae, known as S1-S5. The coccygeal region contains four vertebrae 12, known as Co1-Co4.

Turning now to Figures 2 and 3, normal human lumbar vertebrae 12 are illustrated. It will be understood by those skilled in the art that while the lumbar vertebrae 12 vary somewhat according to location, they share many features common to most vertebrae 12. Each vertebra 12 includes a vertebral body 14. Two short bones, the pedicles 16, extend backward from each side of the vertebral body 14 to form a vertebral arch 18. At the posterior end of each pedicle 16, the vertebral arch 18 flares out into broad plates of bone known as the laminae 20. The laminae 20 fuse with each other to form a spinous process 22. The spinuous process 22 provides muscle and ligament attachment.

The transition from the pedicles 16 to the laminae 20 is interrupted by a series of processes. Two transverse processes 24 thrust out laterally on each side from the junction of the pedicle 16 and the lamina 20. The transverse processes 24 serve as guides for the attachment of muscles to the vertebrae 12. Four articular processes, two superior 26 and two inferior 28, also rise from the junctions of the pedicles 16 and the laminae 20. The superior articular processes 26 are oval plates of bone rising upward on each side from the union of the pedicle 16 with the lamina 20. The inferior processes 28 are oval plates of bone jutting downward on each side. The superior and inferior articular processes 26 and 28, respectively, each have a natural bony structure known as a facet. The superior articular facet 30 faces upward, while the inferior articular facet 32 faces downward. The superior articular facet 30 and the inferior articular facet 32 have articulating surfaces 38 and 40, respectively.

As shown in Figures 3 and 4, when adjacent vertebrae 12 are aligned, the superior articular facet 30 and inferior articular facet 32 interlock. Capped with a smooth articular cartilage, the interlocked vertebrae form a facet joint 36, also known as a zygapophysial joint. An intervertebral disc 34 between each pair of vertebrae 12 permits gliding movement between vertebrae 12. Thus, the structure and alignment of the vertebrae 12 permit a range of movement of the vertebrae 12 relative to each other.

The facet joint 36 is composed of a superior half and an inferior half. The superior half is formed by the vertebral level below the intervertebral disc 34, and the inferior half is formed by the vertebral level above the intervertebral disc 34. For example, in the L4-L5 facet joint, the superior portion of the joint is formed by bony structure on the L-5 vertebra (e.g., a superior articular surface and supporting bone

on the L-5 vertebra), and the inferior portion of the joint is formed by bony structure on the L-4 vertebra (e.g., an inferior articular surface and supporting bone on the L-4 vertebra).

Turning now to Figures 5A and 5B, an exemplary facet implant according to the present invention is illustrated alone and in conjunction with a facet joint. The exemplary facet implant 100 generally has a superior implant 102 and an inferior implant 104. The superior implant 102 generally has an articulating surface 108 and a fixation surface 110. The inferior implant 104 generally has an articulating surface 112 and a fixation surface 114.

The superior implant 102 is configured for placement on superior articular facet 30. The superior implant 102 may be fixed to the superior articulating surface 38 using cemented and/or cementless fixation techniques. In an exemplary embodiment, the superior implant 102 has an articulating surface 108 and a fixation surface 110 and is configured for placement on a specifically prepared superior articulating surface 38. The articulating surface 108 may be generally curved and may be configured to interact with an articulating surface 112 of the inferior implant 104.

The superior implant 102 may have a surface fixation mechanism for fixing the superior implant 102, such as by fixing the fixation surface 110, to the superior articulating surface 38. The surface fixation mechanism may be any fixation mechanism known in the art, such as: one or more pegs, one or more pips, ridges or grooves, one or more screws. In an exemplary embodiment, the surface fixation mechanism includes a plurality of ridges, grouped in regions such that the ridges in different regions are oriented in different directions. For example, the surface fixation mechanism may include four regions on the fixation surface 110 where each of the four regions has ridges oriented in a different direction. The various orientations of the ridges prevent the superior implant 102 from moving in different directions with respect to the superior articulating surface 38.

The fixation surface 110 of the superior implant 102 may also have a porous coating; a porous onlay material; a biologic coating; a surface treatment, such as to facilitate bone ingrowth or cement fixation; and combinations thereof. For example, the fixation surface 110 may have a porous surface that is beaded, threaded, textured, etc. Further, the fixation surface 110 may have a hydroxyapatite coating or may be plasma-sprayed. In addition to the examples listed, any known method of

improving fixation of biologic implants may be used to improve the interaction of the fixation surface 110 and the superior articular facet 30.

In one exemplary embodiment, the fixation surface 110 of the superior implant 102 is configured to interact only with the superior articulating surface 38 and does not interact directly with any other aspect of the superior articular facet 30, the superior articular process 26, or even the facet joint 36. The fixation surface 110 of the superior implant 102 may be generally curved for improved interaction with the superior articulating surface 38.

The articulating surface 108 in one exemplary embodiment is generally configured to articulate or interact with the articulating surface 112 of the inferior implant 104. Accordingly, the articulating surface 108 of the superior implant 102 may be generally curved. The superior implant 102 articulating surface 108 may be configured such that it acts as a "female" surface wherein it is concave or configured to accept a "male" articulating surface 112 of an inferior implant 104. Conversely, the superior implant 102 articulating surface 108 may also be configured such that it acts as a "male" surface wherein it is convex or configured to be accepted by "female" articulating surface 112 of an inferior implant 104.

The superior implant 102 may be composed of any material commonly used in the art for articulating medical implants. Such materials include, but are not limited to, cobalt-chromium alloys, ceramics (alumina ceramic, zirconia ceramic, yttria zirconia ceramic, etc.), titanium, ultra high molecular weight polyethylene (UHMWPE), pyrolytic carbon, titanium/aluminum/vanadium (Ti/Al/V) alloys, Tantalum, Carbon composite materials and combinations thereof. For example, the superior implant 102 may be generally composed of titanium, but have a UHMWPE articulating surface. Some materials are more appropriate for articulating surfaces and some more appropriate for fixation surfaces, but any materials known in the art for use with articulating and fixation surfaces can be used in the present invention. Such materials are commonly used in joint arthroplasty and the like.

The superior implant 102 may be from about 2 mm thick to about 15 mm thick. In an exemplary embodiment, the thickness (T_s) of the superior implant 102 ranges from about 6 mm to about 10 mm. In another exemplary embodiment, the thickness (T_s) of the superior implant 102 ranges from about 3 mm to about 5 mm.

The inferior implant 104 is configured for placement on inferior articular facet 32. The inferior implant 104 may be fixed to the inferior articulating surface 40 using

cemented and/or cementless fixation techniques. In an exemplary embodiment, the inferior implant 104 has an articulating surface 112 and a fixation surface 114 and is configured for placement on a specifically prepared inferior articulating surface 40. The articulating surface 112 may be generally convex and may be configured to
5 interact with an articulating surface 108 of the superior implant 102.

The inferior implant 104 may have a surface fixation mechanism for fixing the inferior implant 104, such as by fixing the fixation surface 110, to the inferior articulating surface 40. The surface fixation mechanism may be any fixation mechanism known in the art, such as: one or more pegs, ridges or grooves, one or
10 more screws. In an exemplary embodiment, the surface fixation mechanism includes a plurality of ridges, grouped in regions such that the ridges in different regions are oriented in different directions. For example, the surface fixation mechanism may include four regions on the fixation surface 114 where each of the
15 four regions has ridges oriented in a different direction. The various orientations of the ridges prevent the inferior implant 104 from moving in different directions with respect to the inferior articulating surface 40.

The fixation surface 114 of the inferior implant 104 may also have a porous coating; a porous onlay material; a biologic coating; a surface treatment, such as to facilitate bone ingrowth or cement fixation; and combinations thereof. For example,
20 the fixation surface 114 may have a porous surface that is beaded, threaded, textured, etc. Further, the fixation surface 114 may have a hydroxyapatite coating or may be plasma-sprayed. In addition to the examples listed, any known method of improving fixation of biologic implants may be used to improve the interaction of the fixation surface 110 and the superior articular facet 30.

In one exemplary embodiment, the fixation surface 114 of the inferior implant 104 is configured to interact only with the inferior articulating surface 40 and does not interact directly with any other aspect of the inferior articular facet 32, the inferior articular process 28, or even the facet joint 36. The fixation surface 114 of the inferior implant 104 may be generally flat or generally curved for improved interaction
30 with the inferior articulating surface 40.

In another exemplary embodiment, the inferior implant 104 is configured to interact with or attach to a translaminar fixation mechanism 106. For example, the inferior implant 104 may include a threaded hole either extending from or bored into the fixation surface 114 of the inferior implant 110. The manner in which the inferior

implant 104 and the translaminar fixation mechanism 106 interact may vary with different anatomies. For example, it may be preferable to offset the translaminar screw 106 from the inferior implant 104 such that when the translaminar screw 106 and inferior implant 104 interact, the translaminar screw 106 is not perpendicular to the inferior implant 104. The translaminar screw 106 may range from about 0 degrees offset from perpendicular to about 20 degrees offset from perpendicular. In one exemplary embodiment, the translaminar screw 106 ranges from about 5 degrees offset from perpendicular to about 15 degrees offset from perpendicular. In another exemplary embodiment, the translaminar screw 106 is about 10 degrees offset from perpendicular.

The articulating surface 112 of the inferior implant 104 in one exemplary embodiment is generally configured to articulate or interact with the articulating surface 108 of the superior implant 102. Accordingly, the articulating surface 112 of the inferior implant 104 may be generally convex. The inferior implant 104 articulating surface 112 may be configured such that it acts as a "male" surface wherein it is convex or configured to be accepted by a "female" articulating surface 108 of a superior implant 102. Conversely, the inferior implant 104 articulating surface 112 may also be configured such that it acts as a "female" surface wherein it is configured to accept a "male" articulating surface 108 of a superior implant 102.

The inferior implant 104 may be composed of any material commonly used in the art for articulating medical implants. Such materials include, but are not limited to, cobalt-chromium alloys, ceramics (alumina ceramic, zirconia ceramic, yttria zirconia ceramic, etc.), titanium, ultra high molecular weight polyethylene (UHMWPE), pyrolytic carbon, titanium/aluminum/vanadium (Ti/Al/V) alloys, and combinations thereof. For example, the inferior implant 104 may be generally composed of a ceramic material or a cobalt-chromium alloy. Some materials are more appropriate for articulating surfaces and some more appropriate for fixation surfaces, but any materials known in the art for use with articulating and fixation surfaces can be used in the present invention. Such materials are commonly used in joint arthroplasty and the like.

The inferior implant 104 may be from about 2 mm thick to about 15 mm thick. In an exemplary embodiment, the thickness (T_i) of the inferior implant 104 ranges from about 6 mm to about 12 mm. In another exemplary embodiment, the thickness (T_i) of the inferior implant 104 ranges from about 3 mm to about 5 mm.

One exemplary embodiment of the present invention includes a translaminar fixation mechanism 106 configured to interact with the inferior implant 104. The translaminar fixation mechanism 106 secures the inferior implant 104 to the inferior articular facet 32. The translaminar fixation mechanism may be any fixation mechanism known in the art, such as a translaminar screw. The translaminar fixation mechanism may be made from any material known in art for medical fixation devices. For example, the translaminar fixation mechanism may be made from titanium, titanium/aluminum/vanadium (Ti/Al/V) alloys, Tantalum, CrCo, ceramic, carbon or carbon composite materials.

Turning next to Figure 6, there is provided a flow diagram generally illustrating a method for providing articulating surfaces for facet joint articular facets. The overall flow begins at process block 602 wherein a space is created between the superior articular facet 30 and the inferior articular facet 32. It will be understood by those skilled in the art that prior to creating the space, it may be preferable or even necessary to expose the facet joint 36 at an effected level and remove the capsule. The effected level may be exposed through use of any appropriate procedure, such as a modified "Wiltse" approach. The creation of the space at process block 602 may be accomplished by using a curette or similar device and by removing the cartilaginous surfaces of the facet joint 36. In one exemplary embodiment, the created space is sufficient for using a rasp on an articulating surface of an articular facet. The space created between the superior articular facet 30 and the inferior articular facet 32 may range, for example, from about 2 mm to about 5 mm. In one exemplary embodiment, the space ranges from about 3 mm to about 4 mm.

Flow progresses to process block 604 wherein a rasp is used to prepare the articulating surface 40 of the inferior articular facet 32 for an inferior implant 104. Progression then continues to process block 606 wherein a rasp is used to prepare the articulating surface 38 of the superior articular facet 30 for a superior implant 102.

Each of the rasps of process blocks 604 and 606 may be either a single shaft rasp or a double action rasp, such as those illustrated in Figures 8-10 and described in detail herein. The process of preparing the articulating surfaces 38 and 40 of the articular facets 28 and 30 may involve using multiple rasps of increasing thickness while widening the space created in process block 602. For example, a 2 mm rasp may initially be used, then a 4 mm rasp, then a 6 mm rasp, then an 8 mm rasp, etc.,

until a desired result is achieved. In addition, the rasps of process blocks 604 and 606 may be the same rasp. Further, a single rasp can be used to prepare the articulating surfaces 38 and 40 concurrently. The articulating surfaces 38 and 40 may be prepared such that a bleeding bone bed is created to facilitate bone ingrowth
5 for the superior implant 102 and inferior implant 104.

As shown in Figure 7, when the single handed rasp is used to prepare articulating surface 38 and/or articulating surface 40, the working end of the tool may be positioned inside the space created in process block 602. The rasp may then be moved from an anterior to a posterior position inside the facet joint 36 in order to
10 effect a clean and uniform resection of the created space in the shape and dimension of both implants. In other words, the articulating surface 38 is prepared such that its shape and dimension resembles the superior implant 102 and the articulating surface 40 is prepared such that its shape and dimension resembles the inferior implant 104. The anterior/posterior movement of the rasp may be continued
15 until the rasp is too small for the space created. The rasp may be too small when the space created is so wide that the rasp cannot prepare both the articulating surfaces 38 and 40 concurrently. A larger (thicker) rasp may then be used. Increasingly larger rasps may be used until the created space is increased such that it ranges from about 4 mm to about 15 mm. In one exemplary embodiment, the
20 rasps are designed to cut only when moving in a posterior direction to help prevent injury during the resurfacing process.

When a double action rasp is used, the working end of the rasp is positioned inside the created space and then the fixation appendages are secured to the lamina or to a cephalad position of the superior facet 26. The rasp is then moved in a
25 cephalad/caudad direction by alternately squeezing and releasing the handles. Like the single handed rasp, double action rasp creates a clean and uniform resection of the created space in the shape and dimension of both implants. The alternately squeezing and releasing of the handles may be continued until the rasp is too small for the space created. The rasp may be too small when the space created is so
30 wide that the rasp cannot prepare both the articulating surfaces 38 and 40 concurrently. A larger (thicker) rasp may then be used. Increasingly larger rasps may be used until the created space is increased such that it ranges from about 4 mm to about 15 mm. In one exemplary embodiment, the rasps are designed to cut

only when moving in a caudad direction to help prevent injury during the resurfacing process.

In one embodiment, the steps of process blocks 602, 604 and 606 are repeated on the contralateral side of facet joint 36 prior to performing the steps of
5 process block 608.

Progression then flows to process block 608 wherein the inferior implant 104 is placed on the prepared/resurfaced articulating surface 40 of the inferior articular facet 32. In one exemplary embodiment, the inferior implant 104 is placed such that it interacts with the articulating surface 40 of the inferior articular facet 32, but not
10 with other aspects of the inferior articular facet 32.

In one exemplary embodiment, a translaminar screw 106 is used to secure the inferior implant 104 to the inferior articular facet 32. In this embodiment, the above method would also include using the translaminar screw 106 to secure the inferior implant 104 to the inferior articular facet 32. This exemplary embodiment
15 preferably includes placing the translaminar screw 106 prior to placing the inferior implant 104 described in process block 608.

To facilitate placement of the translaminar screw 106, an aiming device such as the one illustrated in Figure 11 may be used. The aiming device can be used to position a drill for creating a translaminar hole for the translaminar screw 106. A drill
20 can then be used to create the hole, which may have a diameter of about 2 mm, depending on the diameter of the translaminar screw 106. Once the hole is drilled, the translaminar screw 106 can be introduced into the hole and then used to secure the inferior implant 104 to the inferior articular facet 32.

In one embodiment, the steps of process blocks 608, including any steps
25 associated with the drilling or placement of the translaminar screw 106, are repeated on the contralateral side of facet joint 36 prior to performing the steps of process block 610.

Progression then continues to process block 610 wherein the superior implant 102 is placed on the prepared/resurfaced articulating surface 38 of the superior articular facet 30. In one exemplary embodiment, the superior implant 102 is placed
30 such that it interacts with the articulating surface 38 of the superior articular facet 30, but not with other aspects of the superior articular facet 30.

In one embodiment, the steps of process blocks 602, 604, 606, 608 and 610 are then repeated on the contralateral side.

Turning now to Figure 8, a single handed rasp is illustrated. The rasp 800 includes a handle 802 and a shaft 804 connecting the handle 802 to the working end of the rasp 800. Attached to the shaft 804 at the working end of the rasp 800 is a head 806. The head 806 has at least one cutting surface 808. In one exemplary embodiment, the cutting surface 808 is configured to cut when the cutting surface 808 is moved in a first direction (e.g. when the rasp is moved from the anterior to the posterior direction of the facet joint) but not when the cutting surface 808 is moved in a direction opposite to the first direction (e.g. when the rasp is moved from the posterior to the anterior direction of the facet joint).

Turning now to Figure 9, a double action rasp is illustrated. The rasp 900 includes two handles 902 and a shaft 904 connecting the handles 902 to the working end of the rasp 900. Attached to the shaft 904 at the working end of the rasp 900 are a head 906 and at least one fixation appendage 910. The head 906 has at least one cutting surface 908. In one exemplary embodiment, the cutting surface 908 is configured to cut when the cutting surface 908 is moved in a first direction (e.g. when the rasp is moved in a cephalad direction of the facet joint) but not when the cutting surface 908 is moved in a direction opposite to the first direction (e.g. when the rasp is moved in a caudad direction of the facet joint). In addition, the fixation appendages 910 may be configured for interaction with the lamina 20 or with a cephalad position of the superior facet 26. In one exemplary embodiment of a double action rasp 900, squeezing the handles 902 of the rasp 900 causes the head 906 to move in a cephalad position and releasing the handles 902 causes the head 906 to move in a caudad direction.

Turning now to Figure 10, another double action rasp is illustrated. Attached to the shaft 1004 at the working end of the rasp 1000 are a head 1006 and a fixation appendage 1010. The fixation appendage 1010 may be rigid or capable of pivoting to accommodate various working angles. The head 1006 has at least one cutting surface 1008. In one exemplary embodiment, the cutting surface 1008 is configured to cut when the cutting surface 1008 is moved in a first direction but not when the cutting surface 1008 is moved in a direction opposite to the first direction. In one exemplary embodiment, the rasp is a double action rasp like the rasp 900 where squeezing the handles of the rasp causes the head 1006 to move in a first direction and releasing the handles causes the head 1006 to move in a second direction.

The rasps 800, 900 and 1000 of Figures 8-10 are configured to prepare the articulating surfaces of a facet joint. In an exemplary embodiment, the rasps 800, 900 and 1000 are configured to prepare articulating surfaces 38 and 40 of the articular facets 28 and 30 such that the shape and dimension of the prepared
5 articulating surfaces resembles the shape and dimension of the superior implant 102 and inferior implant 104. For example, if the superior implant 102 and/or inferior implant 104 are curved, the head 806, 906 and 1006 may be generally curved to properly prepare the surface for the implant.

In addition, the rasps 800, 900 and 1000 may be made from any appropriate
10 material commonly used for medical tools. In one exemplary embodiment, at least part of the rasps 800, 900 and 1000 are made from titanium, although the rasps could also be made from any material known in the art.

While the present invention has been described in association with several
15 exemplary embodiments, the described embodiments are to be considered in all respects as illustrative and not restrictive. Such other features, aspects, variations, modifications, and substitution of equivalents may be made without departing from the spirit and scope of this invention which is intended to be limited solely by the scope of the following claims. Also, it will be appreciated that features and parts
20 illustrated in one embodiment may be used, or may be applicable, in the same or in a similar way in other embodiments.

CLAIMS

What is claimed is:

1. A facet implant comprising:
 - a superior implant 102 having an articulating surface 108 and a fixation surface 110 and being configured for placement on a superior articular facet;
 - a inferior implant 104 having an articulating surface 112 and a fixation surface 114 and being configured for placement on an inferior articular facet and for interacting with a translaminar fixation mechanism 106 , whereby the articulating surface 108 of the superior implant 102 and the articulating surface 112 of the inferior implant 104 are configured to interact; and
 - a translaminar fixation mechanism 106 for securing the inferior implant 104 to the inferior articular facet.
2. The facet implant of claim 1 wherein the translaminar fixation mechanism 106 comprises at least one of: a translaminar screw, a bolt and a fixation pin.
3. The facet implant of claim 2 wherein the inferior implant 104 is configured to interact with the translaminar fixation mechanism 106 such that the translaminar fixation mechanism ranges from about 0 degrees to about 15 degrees offset.
4. The facet implant of claim 1 wherein at least one of the superior implant 102 and the inferior implant 102 comprises a surface fixation mechanism.
5. The facet implant of claim 4 wherein the surface fixation mechanism comprises at least one of: one or more pegs, one or more pips, ridges, one or more screws.
6. The facet implant of claim 4 wherein the surface fixation mechanism comprises multiple regions wherein each of the regions has ridges oriented in a different direction.

7. The facet implant of claim 1 wherein at least one of the fixation surfaces 110, 114 of the inferior implant 104 and the superior implant 102 has at least one of: a porous coating, a porous onlay material, a biologic coating, and a surface treatment.

8. The facet implant of claim 1 wherein the articulating surface 108 of the superior implant 102 is generally curved.

9. The facet implant of claim 1 wherein the fixation surface 110 of the superior implant 102 is generally curved.

10. The facet implant of claim 1 wherein the articulating surface 112 of the inferior implant 104 is generally curved.

11. The facet implant of claim 1 wherein at least one of the articulating surfaces 108, 112 of the inferior implant 104 and the superior implant 102 is composed of at least one of: cobalt-chromium alloy, ceramic, UHMWPE, pyrolytic carbon, and Ti/Al/V.

12. The facet implant of claim 1 wherein the inferior implant 104 ranges from about 2 mm thick to about 15 mm thick.

13. The facet implant of claim 1 wherein the superior implant 102 ranges from about 2 mm thick to about 15 mm thick.

14. A facet implant comprising:

a superior implant 102 having a fixation surface 110 and a generally curved articulating surface 108, the superior implant 102 being configured for placement on a specifically prepared articulating surface of a superior articular facet; and

an inferior implant 104 having a fixation surface 114 and a generally convex articulating surface 112, the inferior implant 104 being configured for placement on a specifically prepared articulating surface of an inferior articular facet, whereby the generally curved articulating surface 108 of the superior

implant 102 and the generally convex articulating surface 112 of the inferior implant 104 being configured to interact.

15. The facet implant of claim 14 wherein at least one of the superior implant 102 and the inferior implant 104 comprises a surface fixation mechanism.

16. The facet implant of claim 15 wherein the surface fixation mechanism comprises at least one of: one or more pegs, one or more pips, ridges, and one or more screws.

17. The facet implant of claim 15 wherein the surface fixation mechanism comprises multiple regions wherein each of the regions has ridges oriented in a different direction.

18. The facet implant of claim 14 wherein at least one of the fixation surfaces 110, 114 of the inferior implant 104 and the superior implant 102 has at least one of: a porous coating, a porous onlay material, a biologic coating, and a surface treated to facilitate bone ingrowth.

19. The facet implant of claim 14 wherein at least one of the articulating surfaces 108, 112 of the inferior implant 104 and the superior implant 102 is composed of at least one of: cobalt-chromium alloy, ceramic, UHMWPE, paralytic carbon, and Ti/Al/V.

20. A facet implant comprising:

a superior implant 102 having a fixation surface 110 and a generally curved articulating surface 108, the superior implant 102 being configured for placement on a specifically prepared articulating surface of a superior articular facet;

a inferior implant 104 having a fixation surface 114 and a generally convex articulating surface 112, the inferior implant 104 being configured for placement on a specifically prepared articulating surface of an inferior articular facet and for interacting with a translaminal screw 106, whereby the

articulating surface 108 of the superior implant 102 and the articulating surface 112 of the inferior implant 104 being configured to interact; and
a translaminar fixation mechanism 106 for securing the inferior implant 104 to the inferior articular facet.

21. A method for providing articulating surfaces for facet joint articular facets comprising:

creating a space between a superior articular facet and an inferior articular facet;

using a rasp 800, 900, 1000 to prepare the articulating surface of the inferior articular facet for an inferior implant 104;

using a rasp 800, 900, 1000 to prepare the articulating surface of the superior articular facet for a superior implant 102;

placing the inferior implant 104 on the inferior articular facet such that an articulating surface 112 of the inferior implant 104 is positioned on the articulating surface of the inferior articular facet;

placing the superior implant 102 on the superior articular facet such that an articulating surface 108 of the superior implant 102 is positioned on the articulating surface of the superior articular facet;

wherein the articulating surface 108 of the superior implant 102 and the articulating surface 112 of the inferior implant 104 are configured to articulate with one another.

22. The method of claim 21 wherein each of the steps are repeated on articular facets on a contralateral side of the facet joint.

23. The method of claim 21 wherein the created space is begun with a curette.

24. The method of claim 21 wherein the created space is a space sufficient for using a rasp 800, 900, 1000 on an articulating surface of an articular facet.

25. The method of claim 21 wherein the created space ranges from about 2 mm to about 5 mm.

26. The method of claim 21 wherein multiple rasps 800, 900, 1000 of increasing thickness are used to prepare the articulating surfaces of the superior and inferior articular facets.

27. The method of claim 21 wherein the articulating surfaces of the superior and inferior articular facets are prepared such that the created space is increased to accommodate the superior 102 and inferior 104 implants.

28. The method of claim 27 wherein the articulating surfaces of the superior and inferior articular facets are prepared such that the shape and dimension of superior articular facet resembles the superior implant 102 and the shape and dimension of the inferior articular facet resembles the inferior implant 104.

29. The method of claim 27 wherein the created space is increased such that it ranges from about 4 mm to about 15 mm.

30. The method of claim 21 wherein the articulating surfaces of the superior and inferior articular facets are prepared such that a bleeding bone bed is created to facilitate bone ingrowth.

31. The method of claim 21 wherein the inferior and superior articulating surfaces are prepared by the same rasp 800, 900, 1000.

32. The method of claim 21 wherein at least one rasp 800, 900, 1000 is configured to cut when moving in a first direction, but not when moving in a direction opposite of the first direction.

33. The method of claim 21, further comprising securing the inferior implant 104 to the inferior articular facet with a translaminar fixation mechanism 106.

34. The method of claim 33 wherein securing the inferior implant 104 to the inferior articular facet with a translaminar fixation mechanism 106 comprises using an aiming device to position the translaminar fixation mechanism 106.

35. The method of claim 33 further comprising drilling a translaminar hole for the translaminar fixation mechanism 106.

36. A rasp 800, 900, 1000 for preparing an articulating surface of a facet joint articular facet for an implant, the rasp comprising:

at least one handle 802, 902, 1002;

a shaft connecting the at least one handle 802, 902, 1002 to a working end of the rasp; and

a generally curved head 806, 906, 1006 at the working end of the rasp having at least one cutting surface 808, 810, 908, 910, 1008, 1010 configured to cut when the cutting surface is moved in a first direction, but not when the cutting surface is moved in a direction opposite of the first direction.

37. The rasp of claim 36 wherein the at least one cutting surface 808 is configured to cut when the rasp is moved from the anterior of the facet joint articular facet to the posterior of the facet joint articular facet.

38. The rasp of claim 36 comprising two handles 902 wherein the head 906 is moved in a caudad direction by squeezing the handles 902 and in a cephalad direction by releasing the handles.

39. The rasp of claim 36 further comprising fixation posts 910 at the working end of the rasp.

40. The rasp of claim 39 wherein the fixation posts 910 are configured for interaction with the lamina or a cephalad position of the superior facet.

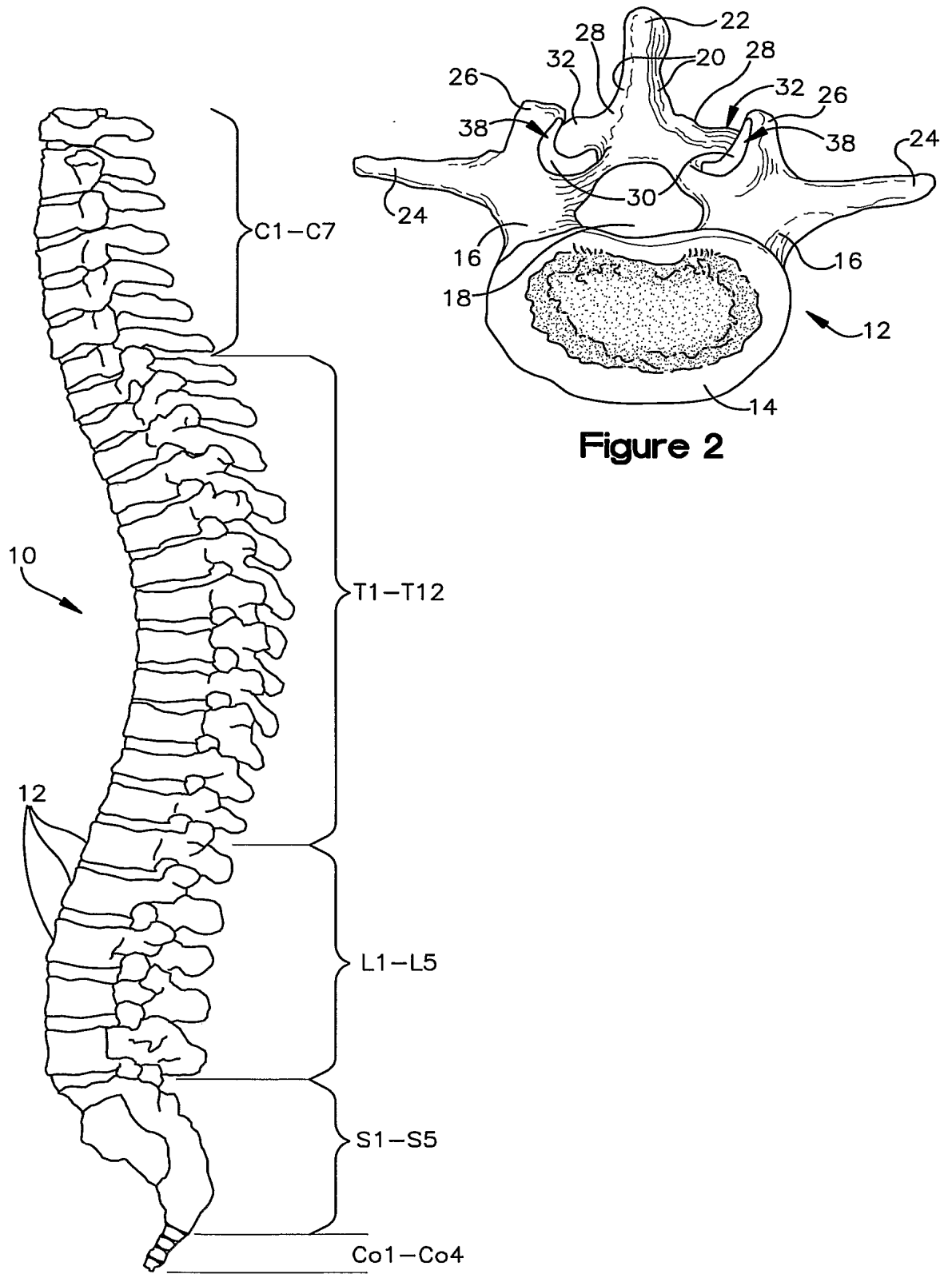


Figure 1

Figure 2

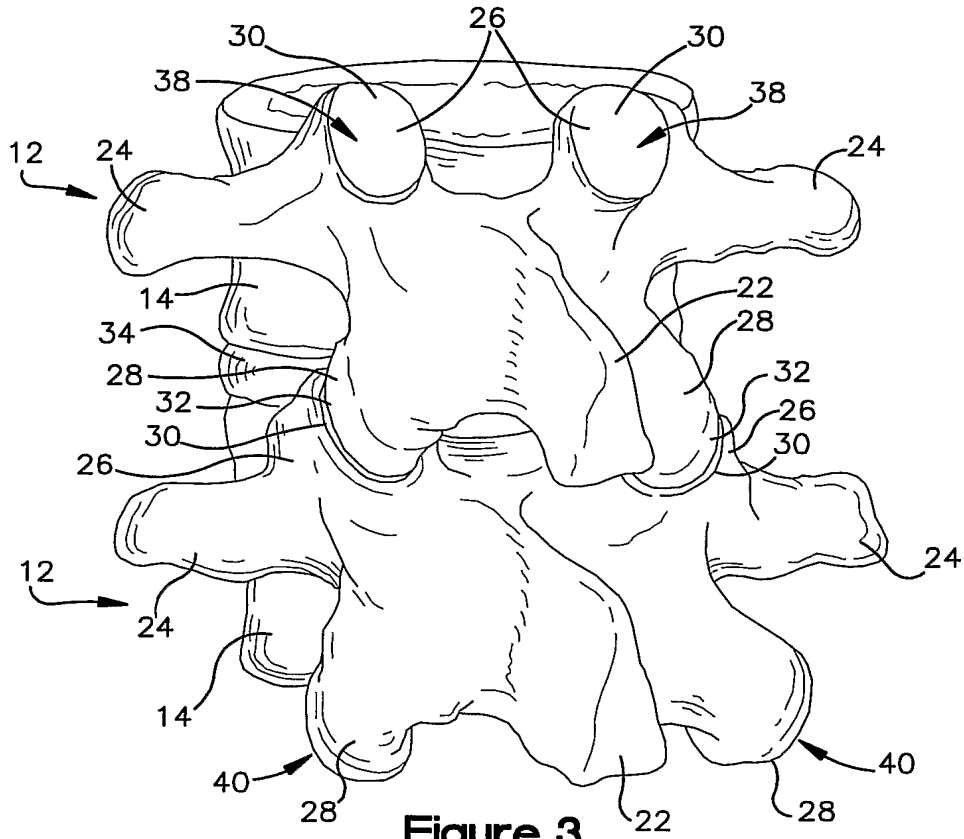


Figure 3

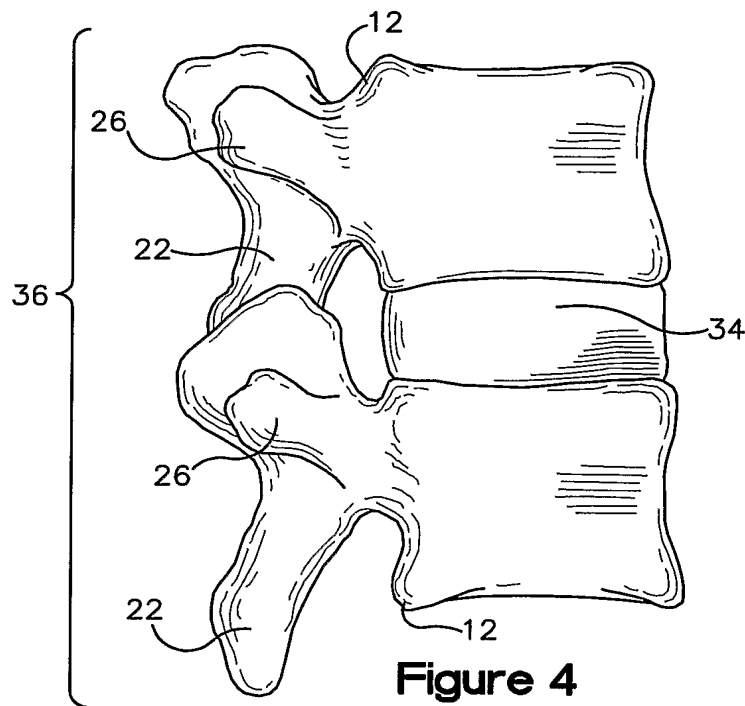


Figure 4

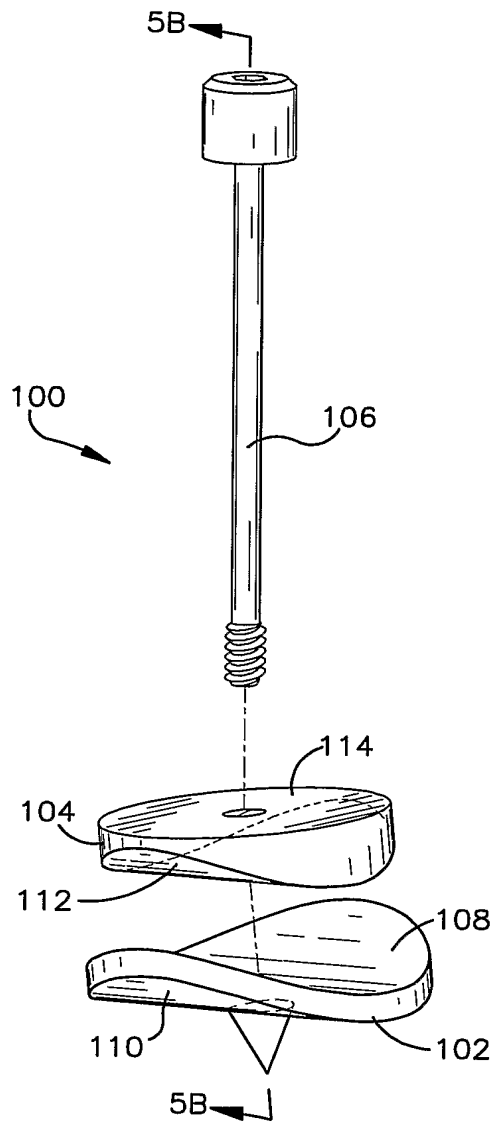


Figure 5A

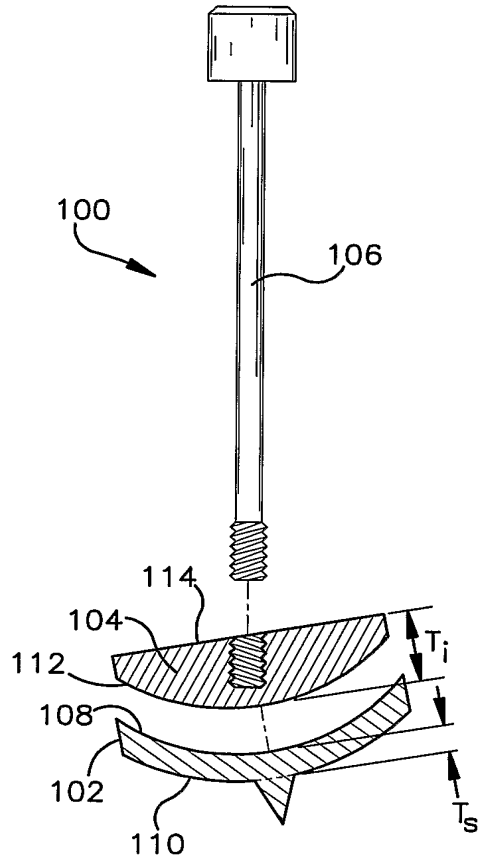


Figure 5B

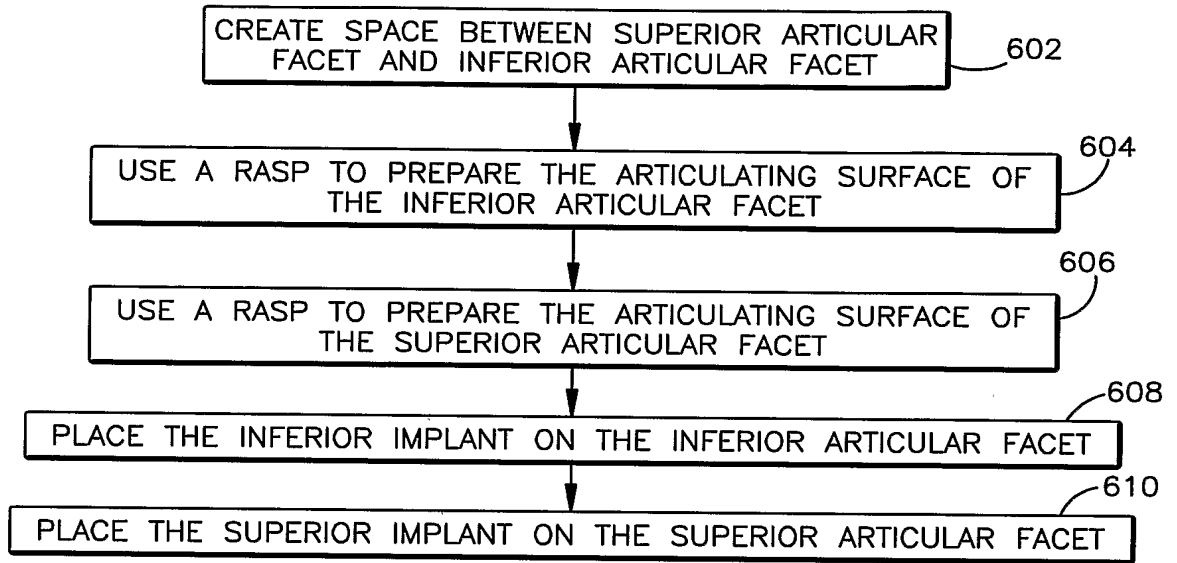


Figure 6

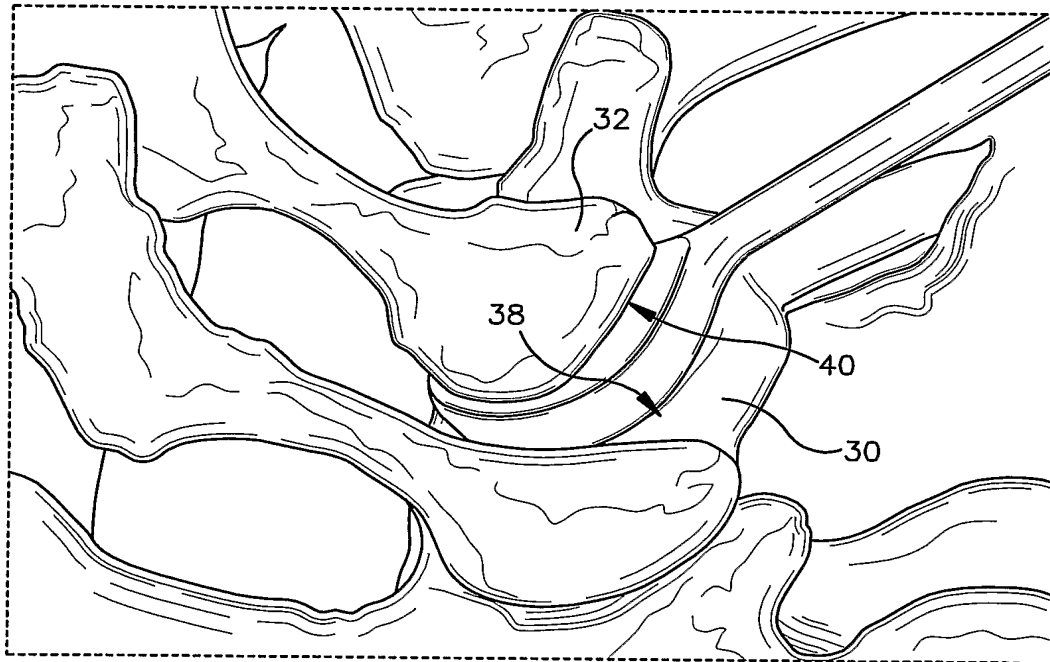


Figure 7

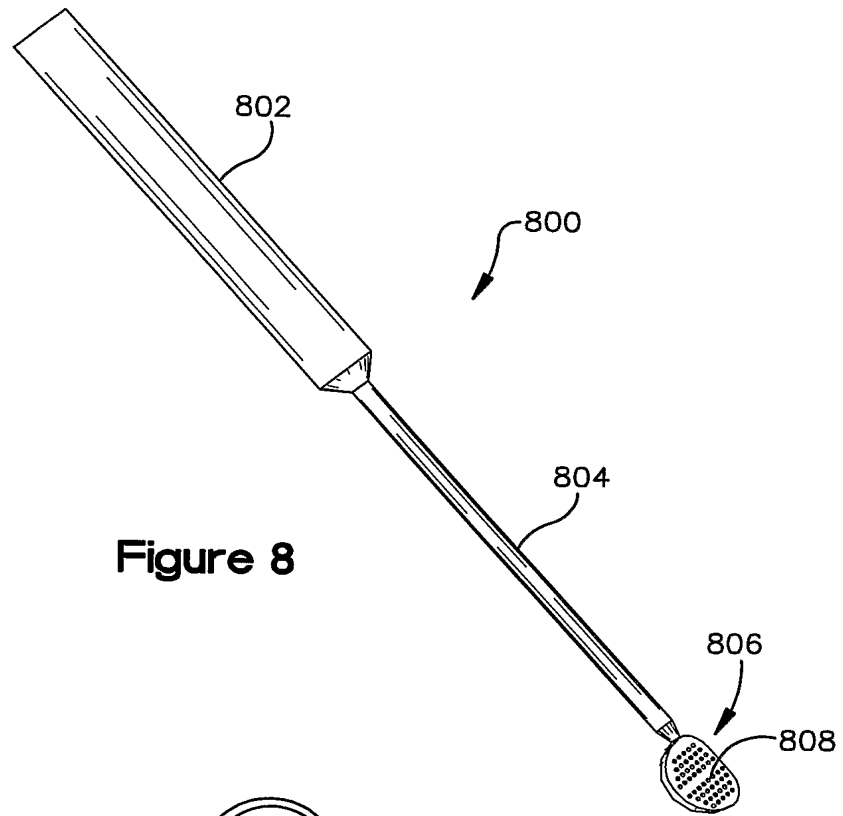


Figure 8

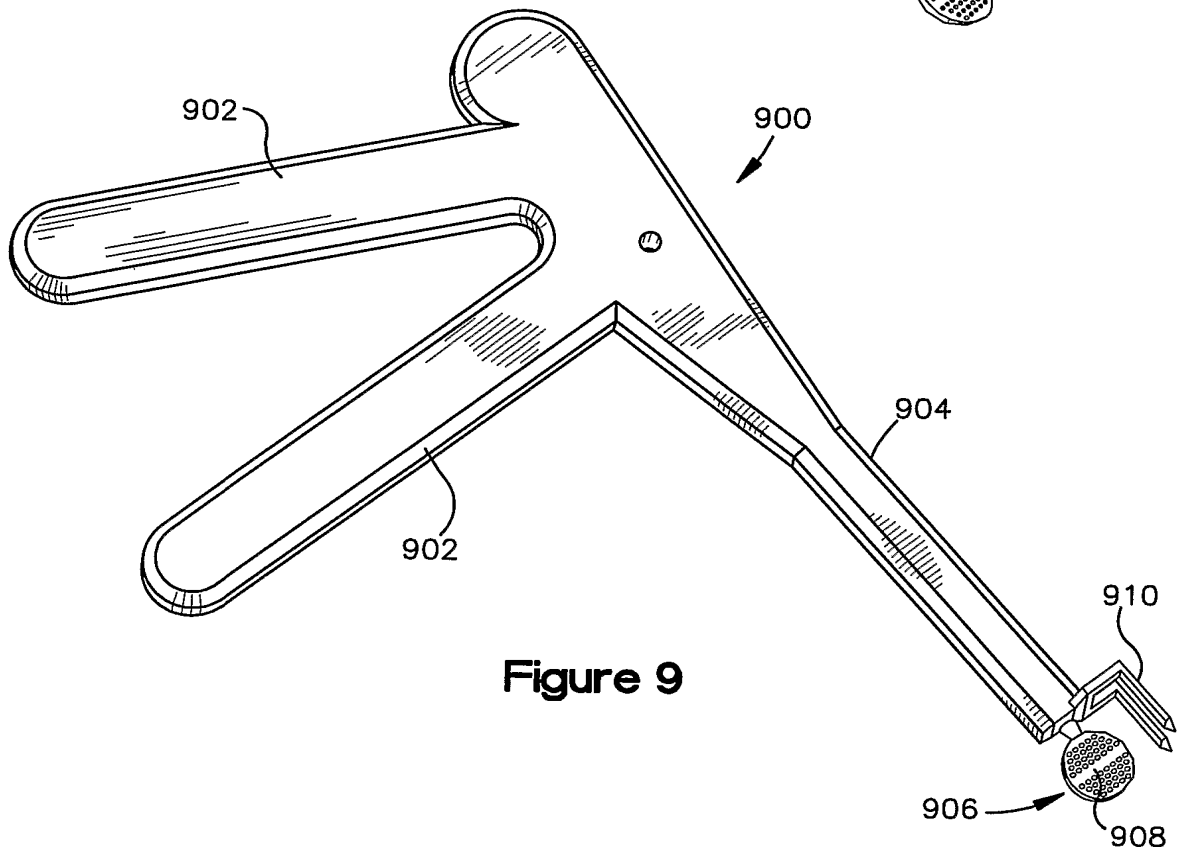


Figure 9

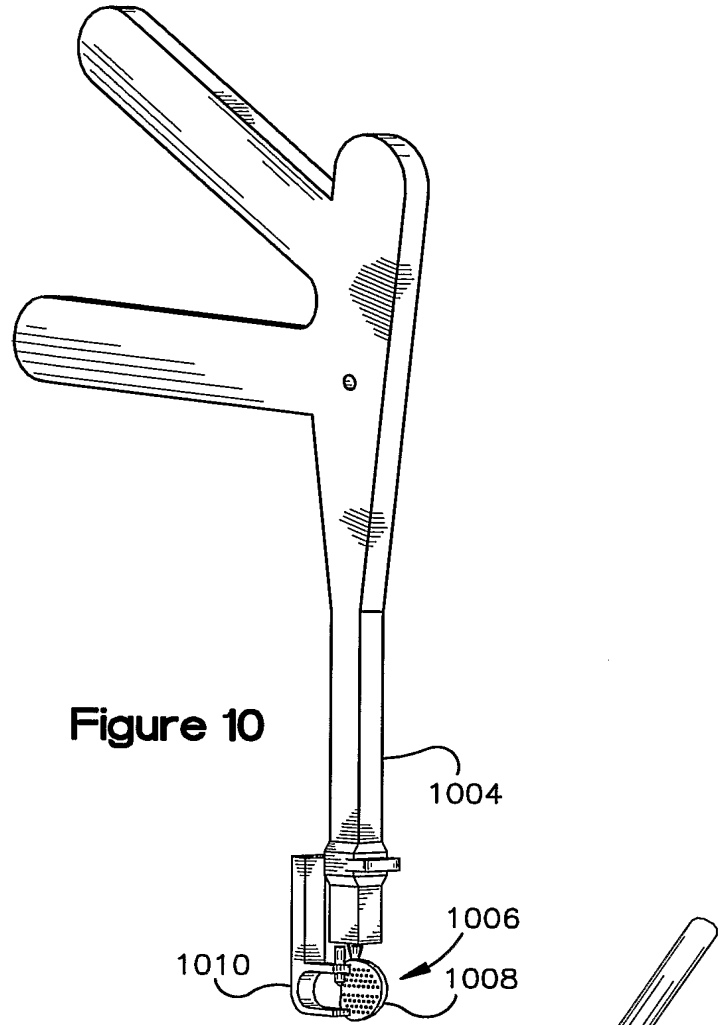


Figure 10

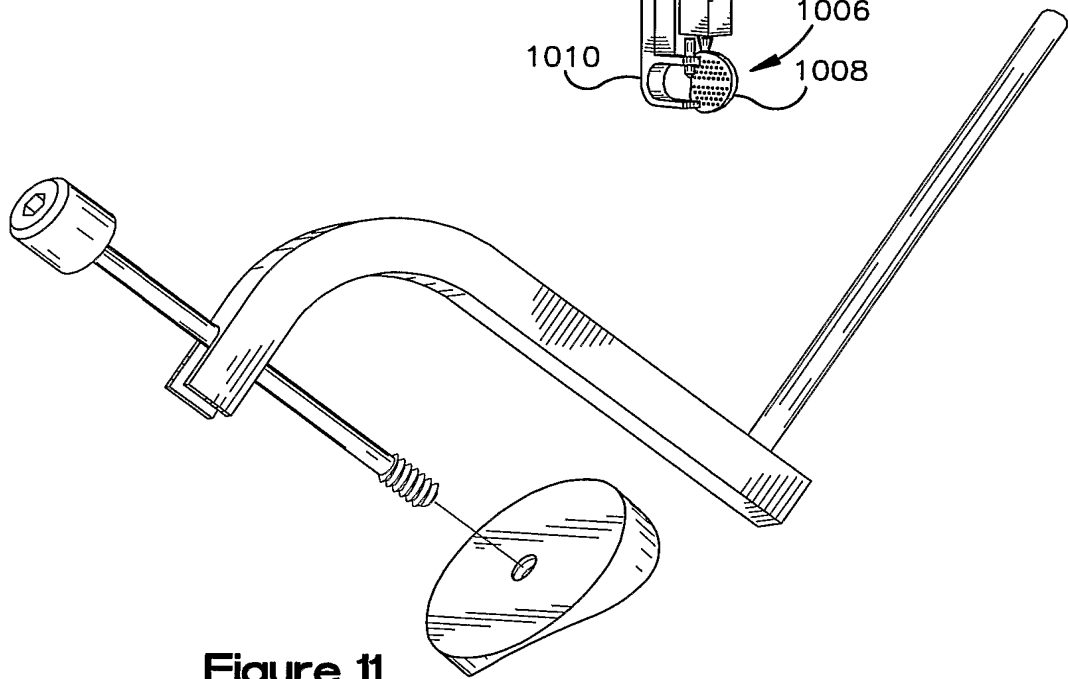


Figure 11

(19) World Intellectual Property Organization
International Bureau



(43) International Publication Date
10 March 2005 (10.03.2005)

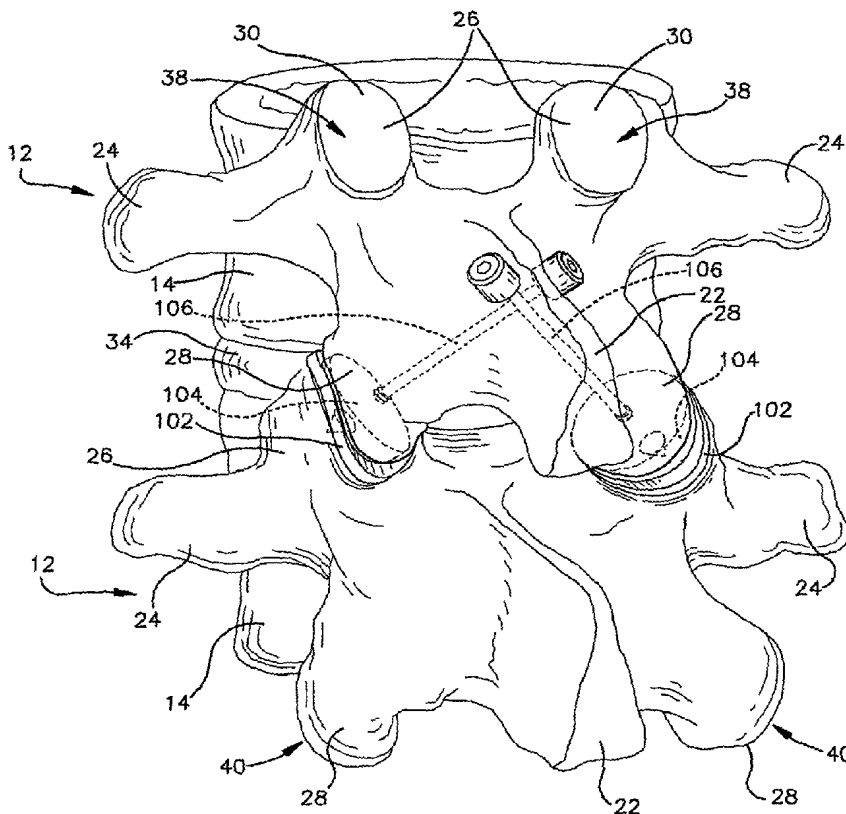
PCT

(10) International Publication Number
WO 2005/020850 A3

- (51) International Patent Classification⁷: A61B 17/00, A61F 2/44
- (21) International Application Number: PCT/US2004/028094
- (22) International Filing Date: 27 August 2004 (27.08.2004)
- (25) Filing Language: English
- (26) Publication Language: English
- (30) Priority Data: 10/651,871 29 August 2003 (29.08.2003) US
- (71) Applicants (for all designated States except US): GER-RASPINE A.G. [CH/CH]; Rorschacher Str. 292, CH-9016 St. Gallen (CH). JOHNSON, Mark, C. [US/US]; Renner, Otto, Boisselle & Sklar, LLP, 1621 Euclid Avenue, 19th Floor, Cleveland, OH 44115 (US).
- (72) Inventors; and
- (75) Inventors/Applicants (for US only): HALE, Horace, W. [CH/CH]; Rosenstr. 22, CH-9113 Degersheim (CH). GROB, Dieter [CH/CH]; Pflugsteinstr. 38, CH-8703 Erlenbach (CH).
- (74) Agent: JOHNSON, Mark, C.; Renner, Otto, Boisselle & Sklar LLP, 1621 Euclid Avenue, 19th Floor, Cleveland, OH 44115 (US).
- (81) Designated States (unless otherwise indicated, for every kind of national protection available): AE, AG, AL, AM, AT, AU, AZ, BA, BB, BG, BR, BW, BY, BZ, CA, CH, CN, CO, CR, CU, CZ, DE, DK, DM, DZ, EC, EE, EG, ES, FI, GB, GD, GE, GH, GM, HR, HU, ID, IL, IN, IS, JP, KE, KG, KP, KR, KZ, LC, LK, LR, LS, LT, LU, LV, MA, MD, MG, MK, MN, MW, MX, MZ, NA, NI, NO, NZ, OM, PG, PH, PL, PT, RO, RU, SC, SD, SE, SG, SK, SL, SY, TJ, TM, TN, TR, TT, TZ, UA, UG, US, UZ, VC, VN, YU, ZA, ZM, ZW.

[Continued on next page]

(54) Title: FACET IMPLANT



(57) Abstract: The present invention relates to prostheses for treating spinal pathologies, and more specifically to a system and method for treating articulating surfaces of facet joints. The system includes a superior implant 102 for placement on a superior articulating surface and an inferior implant 104 for placement on an inferior articulating surface. In addition, described is a method for providing articulating surfaces for facet joint articular facets, as well as various types of raps 800, 900, 1000 used to prepare such surfaces.

WO 2005/020850 A3



(84) Designated States (*unless otherwise indicated, for every kind of regional protection available*): ARIPO (BW, GH, GM, KE, LS, MW, MZ, NA, SD, SL, SZ, TZ, UG, ZM, ZW), Eurasian (AM, AZ, BY, KG, KZ, MD, RU, TJ, TM), European (AT, BE, BG, CH, CY, CZ, DE, DK, EE, ES, FI, FR, GB, GR, HU, IE, IT, LU, MC, NL, PL, PT, RO, SE, SI, SK, TR), OAPI (BF, BJ, CF, CG, CI, CM, GA, GN, GQ, GW, ML, MR, NE, SN, TD, TG).

Published:

— *with international search report*

— *before the expiration of the time limit for amending the claims and to be republished in the event of receipt of amendments*

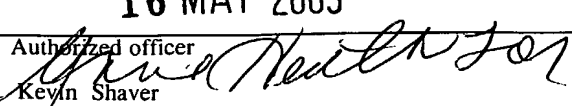
(88) Date of publication of the international search report:
14 July 2005

For two-letter codes and other abbreviations, refer to the "Guidance Notes on Codes and Abbreviations" appearing at the beginning of each regular issue of the PCT Gazette.

INTERNATIONAL SEARCH REPORT

International application No.

PCT/US04/28094

A. CLASSIFICATION OF SUBJECT MATTER IPC(7) : A61B 17/00; A61F 2/44 US CL : 606/80-85; 623/17.11-17.16 According to International Patent Classification (IPC) or to both national classification and IPC		
B. FIELDS SEARCHED Minimum documentation searched (classification system followed by classification symbols) U.S. : 606/80-85; 623/17.11-17.16 Documentation searched other than minimum documentation to the extent that such documents are included in the fields searched Electronic data base consulted during the international search (name of data base and, where practicable, search terms used)		
C. DOCUMENTS CONSIDERED TO BE RELEVANT		
Category *	Citation of document, with indication, where appropriate, of the relevant passages	Relevant to claim No.
X	US 6,579,319 B2 (GOBLE et al) 17 June 2003 (17.06.2003), see whole document	1-20
X	US 2002/0019637 A1 (FREY et al) 14 February 2002 (14.02.2002), see whole document	21-40
X	US 6,436,101 B1 (HAMADA et al) 20 August 2002 (20.08.2002), see whole document	36-40
<input type="checkbox"/> Further documents are listed in the continuation of Box C. <input type="checkbox"/> See patent family annex.		
* Special categories of cited documents:		
"A" document defining the general state of the art which is not considered to be of particular relevance	"T" later document published after the international filing date or priority date and not in conflict with the application but cited to understand the principle or theory underlying the invention	
"E" earlier application or patent published on or after the international filing date	"X" document of particular relevance; the claimed invention cannot be considered novel or cannot be considered to involve an inventive step when the document is taken alone	
"L" document which may throw doubts on priority claim(s) or which is cited to establish the publication date of another citation or other special reason (as specified)	"Y" document of particular relevance; the claimed invention cannot be considered to involve an inventive step when the document is combined with one or more other such documents, such combination being obvious to a person skilled in the art	
"O" document referring to an oral disclosure, use, exhibition or other means	"&" document member of the same patent family	
"P" document published prior to the international filing date but later than the priority date claimed		
Date of the actual completion of the international search 18 April 2005 (18.04.2005)	Date of mailing of the international search report 16 MAY 2005	
Name and mailing address of the ISA/US Mail Stop PCT, Attn: ISA/US Commissioner for Patents P.O. Box 1450 Alexandria, Virginia 22313-1450 Facsimile No. (703) 305-3230	Authorized officer  Kevin Shaver Telephone No. 000-0000	